



Commercial Dishwashers

Models CD-KR-SU01, SU02, SR02, SR03, SR04, SR04T, SR04DV

Item 46562, 46563, 46485, 46486, 46487, 46488*, 46489*

Instruction Manual



Revised - 01/16/2020



Intertek



Intertek

Toll Free: 1-800-465-0234
Fax: 905-607-0234
Email: service@omcan.com
www.omcan.com

**Items 46488 and 46489
not ETL approved.*



Table of Contents

Model CD-KR-SU01 / Model CD-KR-SU02 / Model CD-KR-SR02
Model CD-KR-SR03 / Model CD-KR-SR04 / Model CD-KR-SR04T
Model CD-KR-SR04DV

Section	Page
General Information -----	3 - 4
Safety and Warranty -----	4 - 6
Technical Specifications -----	6 - 7
Installation -----	8 - 14
Operation -----	15 - 19
Maintenance -----	20
Troubleshooting -----	21 - 23
Electrical Schematics -----	24 - 30
Notes -----	31 - 33
Installation Requirements and Checklist -----	34
Warranty Registration -----	35



General Information

Omcan Manufacturing and Distributing Company Inc., Food Machinery of America, Inc. dba Omcan and Omcan Inc. are not responsible for any harm or injury caused due to any person's improper or negligent use of this equipment. The product shall only be operated by someone over the age of 18, of sound mind, and not under the influence of any drugs or alcohol, who has been trained in the correct operation of this machine, and is wearing authorized, proper safety clothing. Any modification to the machine voids any warranty, and may cause harm to individuals using the machine or in the vicinity of the machine while in operation.

CHECK PACKAGE UPON ARRIVAL

Upon receipt of an Omcan shipment please inspect for external damage. If no damage is evident on the external packaging, open carton to ensure all ordered items are within the box, and there is no concealed damage to the machine. If the package has suffered rough handling, bumps or damage (visible or concealed), please note it on the bill of lading before accepting the delivery and contact Omcan within 24 hours, so we may initiate a claim with the carrier. A detailed report on the extent of the damage caused to the machine must be filled out within three days, from the delivery date shown in the shipping documents. Omcan has no recourse for damaged products that were shipped collect or third party.

Before operating any equipment, always read and familiarize yourself with all operation and safety instructions.

Omcan would like to thank you for purchasing this machine. It's of the utmost importance to save these instructions for future reference. Also save the original box and packaging for shipping the equipment if servicing or returning of the machine is required.

Omcan Fabrication et distribution Compañie Limité et Food Machinery d'Amérique, dba Omcan et Omcan Inc. ne sont pas responsables de tout dommage ou blessure causé du fait que toute personne ait utilisé cet équipement de façon irrégulière. Le produit ne doit être exploité que par quelqu'un de plus de 18 ans, saine d'esprit, et pas sous l'influence d'une drogue ou d'alcool, qui a été formé pour utiliser cette machine correctement, et est vêtu de vêtements de sécurité approprié. Toute modification de la machine annule toute garantie, et peut causer un préjudice à des personnes utilisant la machine ou des personnes à proximité de la machine pendant son fonctionnement.

VÉRIFIEZ LE COLIS DÈS RÉCEPTION

Dès réception d'une expédition d'Omcan veuillez inspecter pour dommages externes. Si aucun dommage n'est visible sur l'emballage externe, ouvrez le carton afin de s'assurer que tous les éléments commandés sont dans la boîte, et il n'y a aucun dommage dissimulé à la machine. Si le colis n'a subi aucune mauvaises manipulations, de bosses ou de dommages (visible ou cachée), notez-le sur le bond de livraison avant d'accepter la livraison et contactez Omcan dans les 24 heures qui suivent, pour que nous puissions engager une réclamation auprès du transporteur. Un rapport détaillé sur l'étendue des dommages causés à la machine doit être rempli dans un délai de trois jours, à compter de la date de livraison indiquée dans les documents d'expédition. Omcan n'a aucun droit de recours pour les produits endommagés qui ont été expédiés ou cueilli par un tiers transporteur.

General Information

Avant d'utiliser n'importe quel équipement, toujours lire et vous familiariser avec toutes les opérations et les consignes de sécurité.

Omcan voudrais vous remercier d'avoir choisi cette machine. Il est primordial de conserver ces instructions pour une référence ultérieure. Également conservez la boîte originale et l'emballage pour l'expédition de l'équipement si l'entretien ou le retour de la machine est nécessaire.

Omcan Empresa De Fabricacion Y Distribucion Inc. Y Maquinaria De Alimentos De America, Inc. dba Omcan y Omcan Inc. no son responsables de ningun daño o perjuicio causado por cualquier persona inadecuada o el uso descuidado de este equipo. El producto solo podra ser operado por una persona mayor de 18 años, en su sano juicio y no bajo alguna influencia de droga o alcohol, y que este ha sido entrenado en el correcto funcionamiento de esta máquina, y ésta usando ropa apropiada y autorizada. Cualquier modificación a la máquina anula la garantía y puede causar daños a las personas usando la máquina mientras esta en el funcionamiento.

REVISE EL PAQUETE A SU LLEGADA

Tras la recepcion de un envio Omcan favor inspeccionar daños externos. Si no hay daños evidentes en el empaque exterior, Habra el carton para asegurarse que todos los articulos solicitados estén dentro de la caja y no encuentre daños ocultos en la máquina. Si el paquete ha sufrido un manejo de poco cuidado, golpes o daños (visible o oculto) por favor anote en la factura antes de aceptar la entrega y contacte Omcan dentro de las 24 horas, de modo que podamos iniciar una reclamación con la compañía. Un informe detallado sobre los daños causados a la máquina debe ser llenado en el plazo de tres días, desde la fecha de entrega que se muestra en los documentos de envío. Omcan no tiene ningun recurso por productos dañados que se enviaron a recoger por terceros.

Antes de utilizar cualquier equipo, siempre lea y familiarizarse con todas las instrucciones de funcionamiento y seguridad.

Omcan le gustaría darle las gracias por la compra de esta máquina. Es de la mayor importancia para salvar estas instrucciones para futuras consultas. Además, guarda la caja original y el embalaje para el envío del equipo si servicio técnico o devolución de la máquina que se requiere.

Safety and Warranty

BEFORE USING THE COMMERCIAL DISHWASHER, FOLLOW THE BASIC SAFETY PRECAUTIONS.

- Read all the instructions before using the Commercial Dishwasher.
- Use the Commercial Dishwasher only as instructed in this Owner's Manual.
- This Manual does not cover every possible condition and situation that may occur. Use common sense and caution when installing, operating, and maintaining your Commercial Dishwasher.
- The dishwasher must be electrically grounded. Read the Installation Instructions for details.
- The dishwashers have varying electrical requirements, and extra care would need to be made in installation.



Safety and Warranty

Ensure the information on the rating plate matches your local requirements prior to installation.

- Do not operate the commercial dishwasher, unless all enclosure panels are in their proper place.

WARNING

Do not use an extension cord for this machine.

WARNING

The dishwasher must comply with all applicable sanitary, safety and plumbing codes in your area. It is important that at least 1.0 gallon (3.8 liters) per 60 seconds must be supplied to the dishwasher.

WARNING

In order to prevent heat damage to the inlet valve, all solder connections must be made before the water line is connected to the dishwasher.

WARNING

- To avoid entrapment and/or suffocation, remove door or door latch mechanism from any dishwasher that is discarded or not in use.
- Do not abuse, sit, stand or play on door or racks of a machine.
- Use detergents and rinse agents recommended for optimum use in this machine.
- Do not wash plastic items unless marked “dishwasher safe” or the equivalent. Check with manufacturer for recommendations, if not marked. Items that are not dishwasher safe may melt and create a potential fire hazard.
- Disconnect electrical power to machine before servicing.
- Repairs should be done by a qualified technician.
- Do not touch the heating element during or right after use.
- When loading items to be washed:
 - 1) Carefully load sharp items with the handles up to reduce the risk of injuries
 - 2) Do not store or use combustible materials, gasoline or other flammable vapors and liquids in the vicinity of this machine.

SAVE THESE INSTRUCTIONS FOR FUTURE REFERENCE.

NOTE

- Never put animals into the machine.
- Do not wash any kind of food for consumption.
- Do not wash items such as clothes and shoes.
- Do not place any objects on top of the machine.
- Do not close the door before confirming the safety of other people or objects.
- Do not open the door while the machine is operating, because it can cause serious scalds.
- Do not put inflammable items into the machine.
- Do not wash dishware or containers stained with industrial fluid.

1 YEAR PARTS AND LABOUR WARRANTY

Within the warranty period, contact Omcan Inc. at 1-800-465-0234 to schedule an Omcan authorized

Safety and Warranty

service technician to repair the equipment locally.

Unauthorized maintenance will void the warranty. Warranty covers electrical and part failures, not improper use.

Please see <https://omcan.com/disclaimer> for complete info.

WARNING:

The packaging components are classified as normal solid urban waste and can therefore be disposed of without difficulty.

In any case, for suitable recycling, we suggest disposing of the products separately (differentiated waste) according to the current norms.

DO NOT DISCARD ANY PACKAGING MATERIALS IN THE ENVIRONMENT!

Technical Specifications

UNDERCOUNTER DISHWASHERS

Model	CD-KR-SU01	CD-KR-SU02
Capacity (Rack/H)	40	
Cycle	90 seconds	
Electrical	220V / 60Hz / 1	
Power	3.8kW	4.75kW
Current	17A	24A
Water Consumption	2.7 L / 0.71 Gal	3 L / 0.8 Gal
Dimensions	23.6" x 24.6" x 34.2" / 599 x 625 x 869mm	
Weight	209 lbs. / 94.8 kgs.	227 lbs. / 103 kgs.
Item Number	46562	46563



Technical Specifications

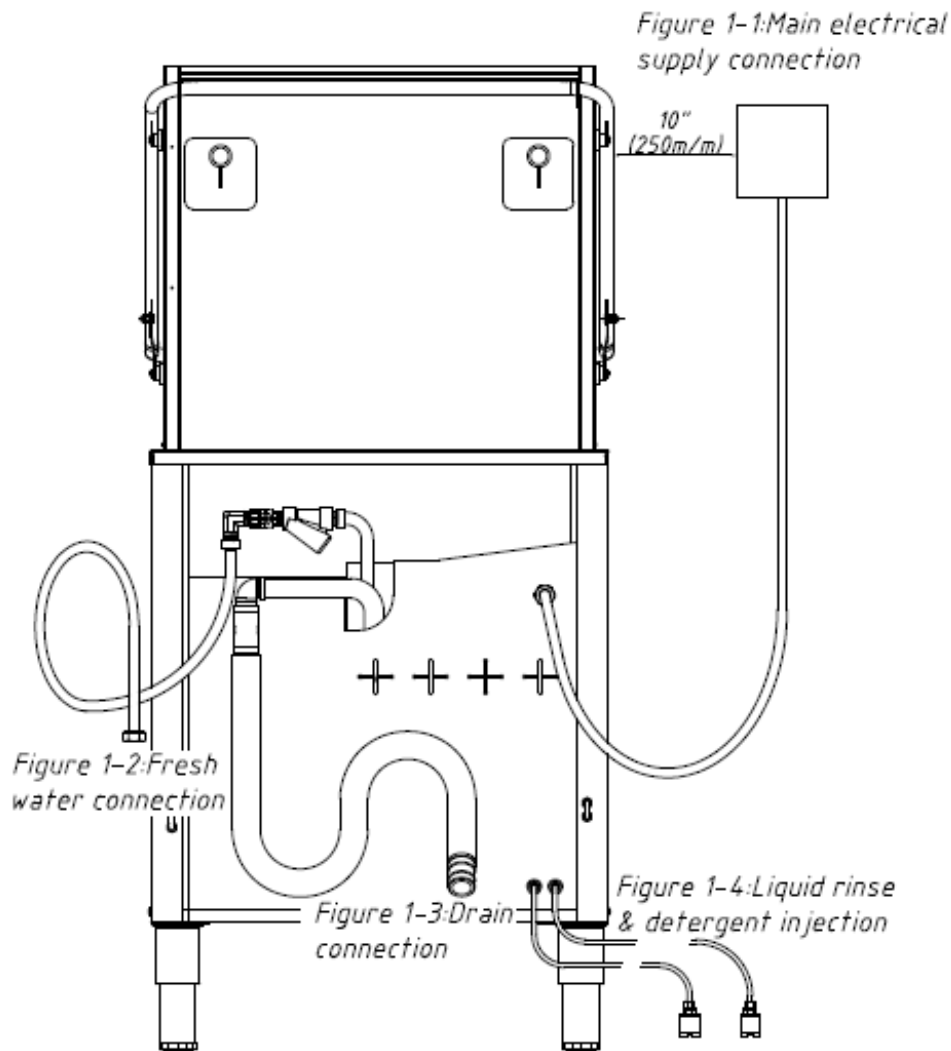
FLOOR MODEL DISHWASHERS

Model	CD-KR-SR02	CD-KR-SR03
Capacity (Rack/H)	55	
Cycle	65 seconds	
Electrical	220V / 60Hz / 1	220V / 60Hz / 3
Power	5.3kW	6.8kW
Current	23.8A	17.7A
Water Consumption	2.7 L / 0.71 Gal	
Dimensions	26.1" x 31.4" x 59" 663 x 798 x 1499mm	
Weight	220 lbs. 99.8 kgs.	
Item Number	46485	46486

Model	CD-KR-SR04	CD-KR-SR04T	CD-KR-SR04DV
Capacity (Rack/H)	40		80
Cycle	90 seconds		
Electrical	220V / 60Hz / 1	220V / 60Hz / 3	
Power	7.5kW		13.5kW
Current	34.4A	23A	40A
Water Consumption	2.7 L / 0.71 Gal		5.4 L / 1.42 Gal
Dimensions	26.1" x 35" x 66.2" 663 x 889 x 1681mm	26.1" x 31.4" x 70" 663 x 798 x 1778mm	45.7" x 35" x 66.3" 1161 x 889 x 1684mm
Weight	308 lbs. 139.7 kgs.	227 lbs. 103 kgs.	374 lbs. 169.6 kgs.
Item Number	46487	46488	46489

Installation

Read these instructions carefully and completely before you install the machine. The installation should be carried out by a qualified technician who is familiar with all local codes and ordinances for electrical and plumbing connections. If a commercial dishwasher is being installed in this area for the first time, most of the cabinet work, plumbing, and electrical must be done before moving the machine into place. In the case of replacing an old dishwasher, check the plumbing and wiring connections before moving the new dishwasher into place. Reasonable access to and around the dishwasher for service must be provided



ELECTRICAL CONNECTIONS

Connect supply cable with a UL-listed strain relief bushing (if non-metallic cable is to be used). A 208 - 230 volt, 60 Hz, 1 phase or 3 phase circuit is required for these machines. Even though the rating plate shows 220 volts, the unit is designed to function properly on 208 volts to 230 volts.

1. Before working on wiring the machine, be sure the electrical power has been turned off at the breaker/fuse

box.

2. Electrical and grounding connections must comply with the applicable portions of the national electrical code and/or other local electrical codes.

GROUNDING INSTRUCTIONS

This machine must be properly grounded for a permanently connected machine:

- This machine must be grounded to operate properly. It must be connected to a grounded metal, permanent wiring system or an equipment-grounding conductor must be run with the circuit conductors and connected to the equipment-grounding terminal or lead of the machine. When grounding the machine, connect the green line to the terminal provided.

OVERVIEW OF INSTALLATION

The owner should contract with qualified personnel to move the appliance to the installation location, unpack it, and prepare it for final utility connections. In most cases, local codes prevent the final utility connections from being made by any party other than a licensed electrician and plumber.

NOTE

It is the responsibility of the owner to ensure that all aspects of the installation comply with all applicable local and national codes.

NOTE

It is a good idea to inspect for any shipping damage before you proceed with the installation. If you find any damage, you should report it to your dealer / freight company before accepting delivery.

WATER SUPPLY LINE CONNECTION

Before connecting the water supply hose, the line must be flushed clean of all debris, including (but not limited to) pipe sealant, metal particles, solder, etc. This debris can damage to the machine.

- The water supply line could be connected to hot water or cold water and a shut-off valve should be installed before connecting them.
- Water supply pressure should be under 40 psi and temperature should be kept at a minimum 140°F/60°C. Adjust water supply time to 1 gal per cycle, using the water flow control valve inside the machine. Adjust so the fill indicating light stays on for 30 seconds.

NOTE

In some cases, local codes dictate that water supply connections be made only by a certified professional.

- Check that iron or other metal particles cannot contaminate the fresh water supplied to the machine.
- Check that the incoming water pressure is within the acceptable range for the machine (10 - 40 psi, 0.7 - 2.8 bars). It may be necessary to reduce the pressure.
- Check the incoming water temperature. Colder water will result in a longer preheat time (during initial startup) and may extend the cycle time to allow the final rinse water to heat to minimum 180°F/82°C.
- Check the incoming water hardness. The Ecomiser SR-02 / SR-03 Models require a hardness of 4 grains

Installation

per U.S. gallon or less. If over 4 grains the water should be treated.

- When connecting the customer-supplied water line to the fitting on the end hose supplied, pay attention to prevent the hose from being twisted or broken.

DRAIN CONNECTIONS

- The dishwashers contain a 1 1/2" (38mm OD) drain hose for end user's convenience.
- The dishwashers are factory built with a drain pump. Recommended rough in height is maximum 18" (457mm).
- Check that the end of the drain hose will empty into a drain with a minimum diameter of 1 1/2" (38mm).
- Route the drain hose to the drain. In some cases, a grease trap (supplied by others) must be fitted into the wastewater line. If this trap is required for your installation, check that it is present.

NOTE

- No portion of a wall drain system may be higher than 18" (457mm).
- No part of the drain hose should be higher than 20" (508mm) from the bottom of the dishwasher.
- Failure to provide the proper drain connection height (maximum of 20" (508mm) above the bottom of the dishwasher base) will result in improper drainage.
- After connecting the drain hose to main drain line, make sure all connections are watertight.

DISPENSING SYSTEM CONNECTION

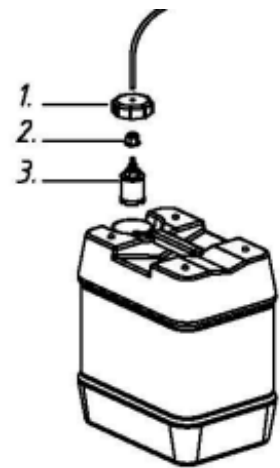
These units are designed for use with a liquid rinse aid and detergent. They are equipped with liquid internal detergent and rinse aid pumps each have each tube exiting the machine at the lower rear. These tubes can simply be attached to detergent and rinse aid containers.

- Commercial (not a domestic) detergent must be used.
- Locate the red liquid detergent and blue liquid rinse aid tube at the lower rear of the machine. Connect the tubes to the detergent and rinse aid container.

LIQUID RINSE & DETERGENT INJECTION

This figure shows you how tubes are to be connected to detergent / rinse containers.

- Make a hole about 3mm bigger than the tube diameter on the container cap (No. 1).
- Insert the tube through the container cap into the sinker cap (No. 2).
- Tighten the sinker cap on to the sinker (No. 3).
- Drop the sinker down to the bottom of the container to supply chemical properly.



TO PRIME DETERGENT AND RINSE AGENT PUMPS

This mode will only work if the Ready sign is on.

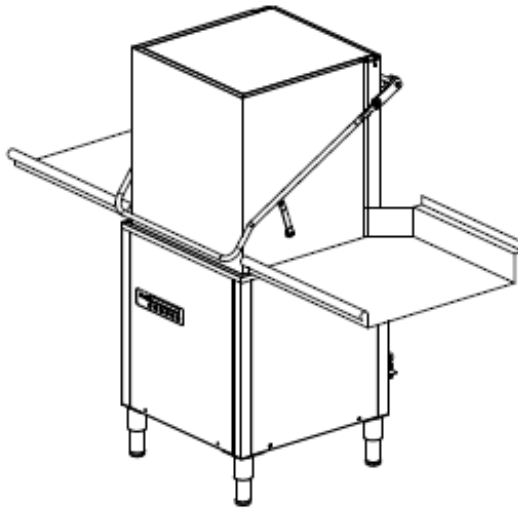
1. Detergent - While the power is turned on, press MODE and UP button simultaneously to supply detergent.

Installation

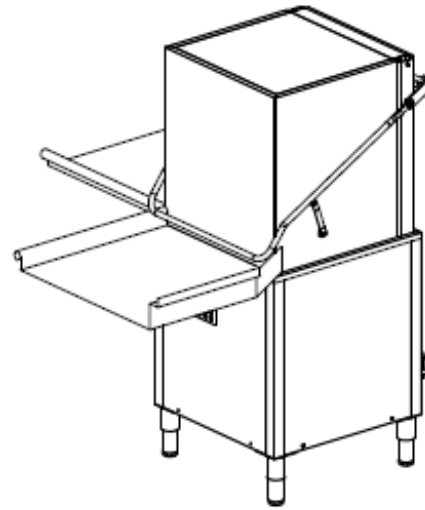
2. Rinse Agent – While the power is turned on, press MODE and DOWN button simultaneously to supply rinse agent.

STRAIGHT-THROUGH AND CORNER TABLING CONFIGURATIONS (FOR FLOOR MODELS ONLY)

If the machine needs maintenance, make sure to leave some space in case the left panel cover is opened. That is, the left panel should be freed up so that it can be opened for maintenance at any time. The units would be installed by straight-through and corner tabling configurations as per the following diagrams:



Straight-through



Corner installation

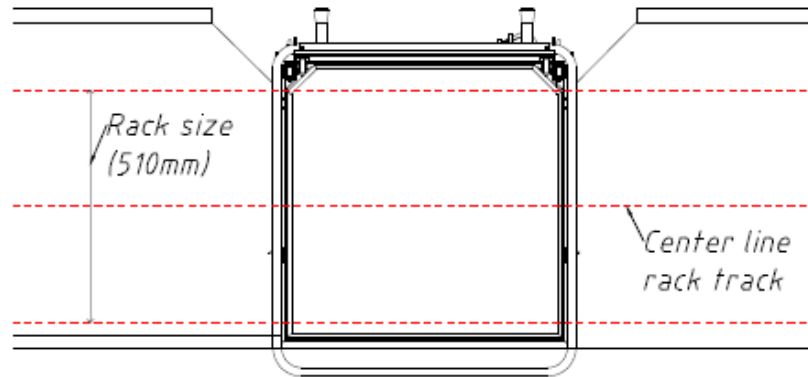
CAUTION

Installation work should be done by certified technicians. Before setting up the machine and tables, check first whether power line, drain line, water supply line and detergent/rinse tubes are connected properly.

Installation

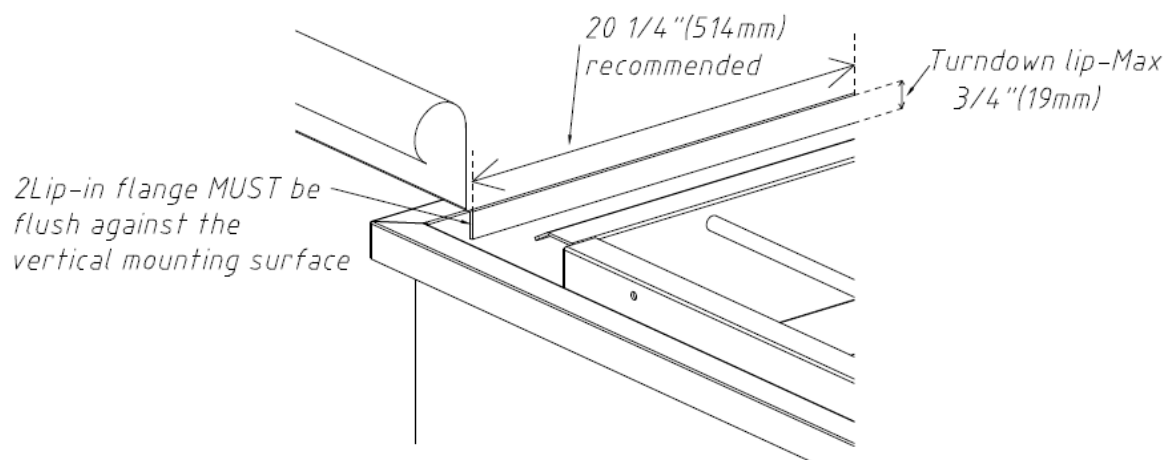
THE STRAIGHT-THROUGH INSTALLATION

- Before hooking up plumbing and power lines, install the machine in the desired location and level using the feet. Run the detergent/rinse lines to where the chemical containers are located.
- After connecting the table to the machine, check that the door is moving up and down without any interference between the machine and the table.



Straight-through

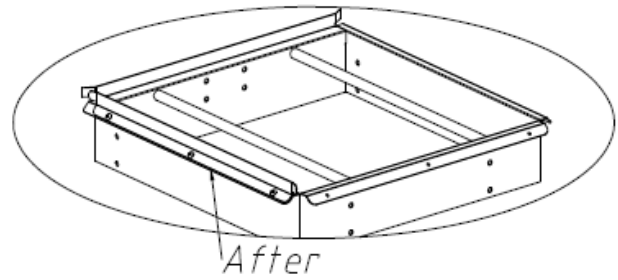
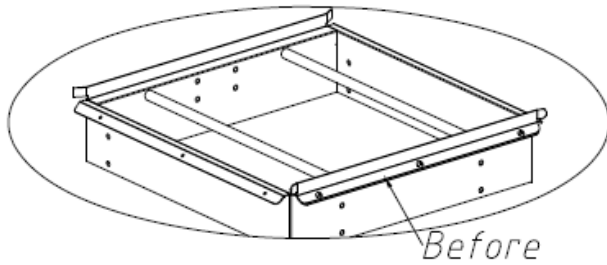
TABLE CONNECTION



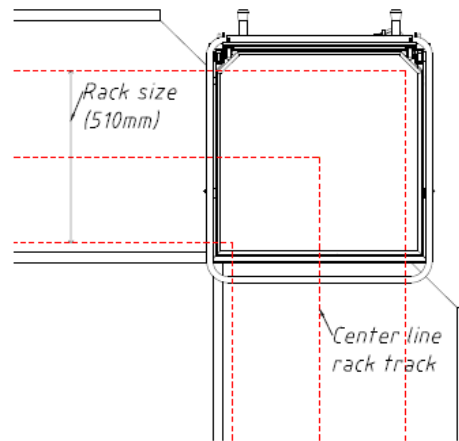
Installation

THE CORNER INSTALLATION

- For a corner installation only, move the rack guide rail from the front position to the side position.

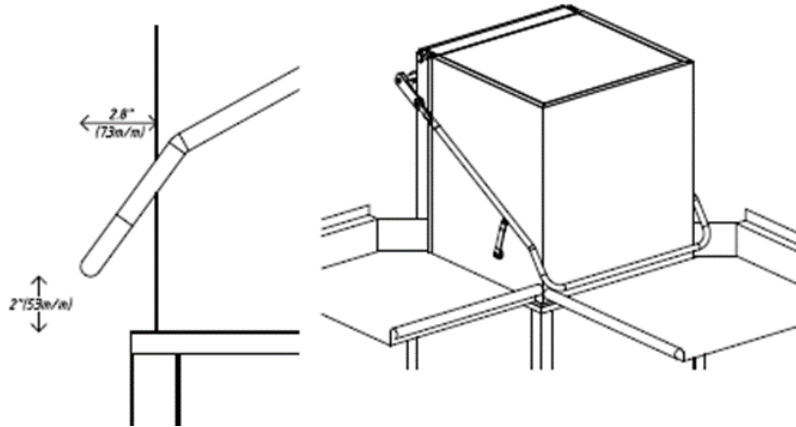


- Align the table centerlines with the machine.
- Next figure shows a door handle clearance for corner installation

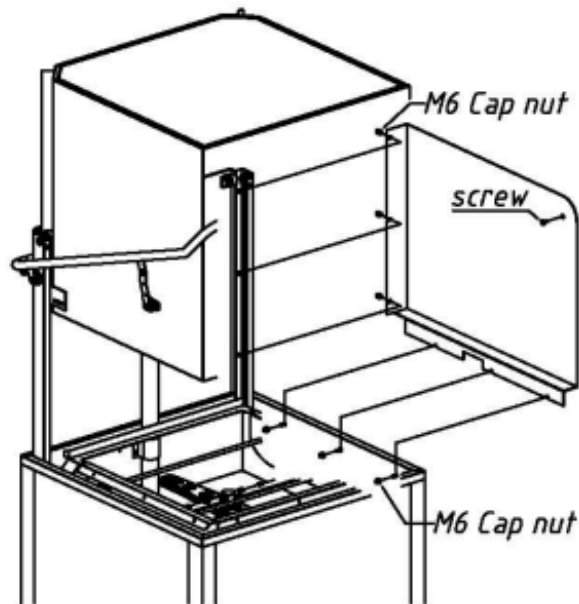


Installation

DOOR HANDLE INTERFERENCE



- When installing the machine at the corner, its right side should be stood facing to a wall for easy maintenance.
- Optional side panel should be installed before setting machine in place.



IMPORTANT SAFETY INSTRUCTIONS

WARNING

Before using the machine, follow basic precautions including the following:

- Read all instructions before using dishwasher.
- Use dishwasher only as instructed in this manual.
- This manual does not cover every possible condition and situation that may occur. Use common sense and caution when installing, operating and maintaining any appliance.
- Do not operate dishwasher unless all enclosures panels are in their proper place.

NOTE

Before using the machine, read the manual and keep it in a convenient place for review.

- Open the water supply valve.
- Turn the power on after turning on the breaker.
- Water will be filling in the tanks, but filling time of the water depends on the water supply pressure.
- When the tank is full and the water has been heated to the preset temperature, the Ready sign on the front control panel will be on. The machine is now ready for operation. Cycle can be started by either pushing START/STOP button or opening and closing the door.

OPERATION

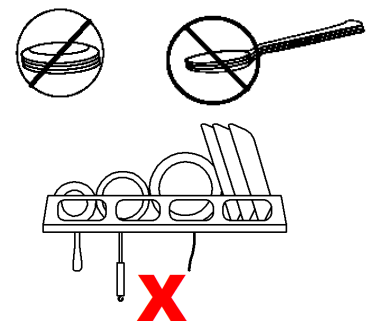
1. Push power button or open and close door to turn on.
2. Remove and clean strainer basket as necessary. Remove any large food particles, scraps, sticks or bones from the strainer basket. Lift out the strainer basket and clean it thoroughly using a brush and warm water.
3. End of day push POWER button to turn off. The machine will automatically enter a self-cleaning cycle when it is turned off. The interior will be sprayed with hot, fresh water for 10 seconds.

NOTE

The daily cleaning is a general recommendation based on typical soiling. Because of large quantity of food soiling on many dishes, pots and pans, at times it may be necessary to clean the machine more often and more extensively. Extensive food soil deposits inside the machine work against optimal performance. Some items may not be cleaned as effectively, resulting in the need for either a longer cycle or repeat washing.

TIPS

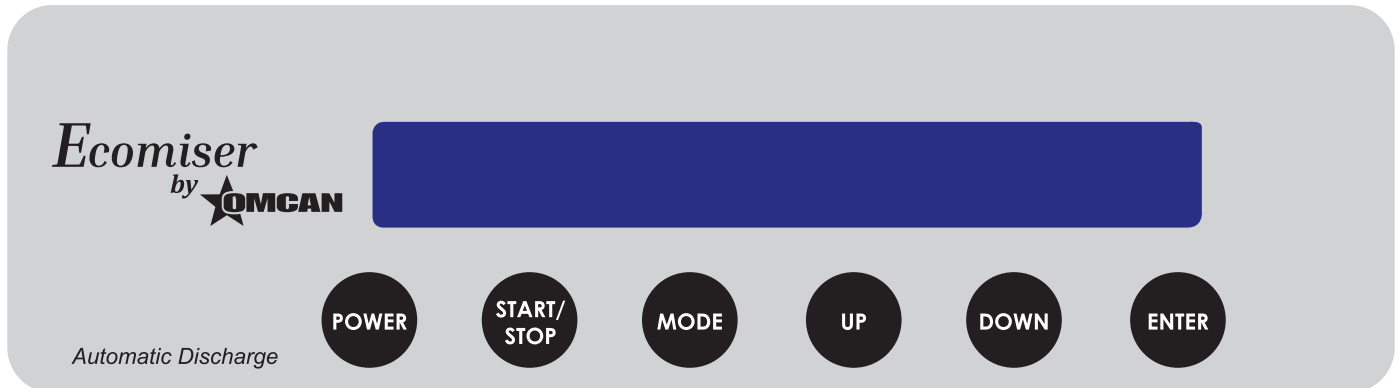
- Bowls, spoons, etc., are not to be stacked closely, so as not to affect washing and drying performance.
- Do not let little objects like spoons, forks, chopsticks or knives stick out of the gaps between racks. It could deteriorate the performance of the machine and could damage it.
- Organize trays and plates on their side. Organize in a way so the large dishes are on the outside, and the small dishes are inside of the rack. It will increase the machine's performance.



Operation

CONTROL SYSTEM

CONFIGURATION OF DISPLAY



1. POWER: This button turns the power on and off.
2. START/STOP: Start / Pause button.
3. MODE: Used to change settings of the machine.
4. UP/DOWN: Used to raise or lower the setting value of the machine or to change the cycle time.
5. ENTER: Used to complete the setting or cancel the temperature lock.

DISPLAYS

TANK TEMPERATURE

- Displays the temperature of the wash tank.
- Displays the temperature of the rinse tank.

CYCLE TIME

- Displays Run. 90 is cycle time (seconds) from start to finish.
- There are 3 preset options. 65, 90 and 120 seconds being changed by UP/DOWN buttons.

OPERATION

- Tank fill ► Water is being supplied.
- Washing ► Spraying wash water.
- Detergent ► At programmed time, soap is being supplied.
- Heating ► Heat elements are working.
 - a) Will depend on the temperature settings.
 - b) When heater is working (FLOAT SWITCH ON/OFF status).
 - c) Depending on the temperature inside the lower and upper rinse tank, the switch will go ON/OFF.
- Waiting ► Drop wash water down for 10 seconds.
- Rinsing ► Spraying rinse water.
- Rinse agent ► At programmed time, rinse agent is being supplied.
- Drain ► Part of the wash water drained.

- Complete ► Cycle finished. After 30 seconds machine will reset to the beginning.
- Not Ready ► The temperature of wash and rinse water is not hot enough.

MODE BUTTON

Press and hold the button for 7 seconds to initiate setting mode. The parentheses is the factory setting number.

- Press MODE button 1 time ► Configure WASH cycle duration (69 seconds).
- Press MODE button 2 times ► Configure DETERGENT cycle duration (4 seconds).
- Press MODE button 3 times ► Configure WAIT MODE (10 seconds).
- Press MODE button 4 times ► Configure RINSE cycle duration (11 seconds).
- Press MODE button 5 times ► Configure RINSE AGENT cycle duration (3 seconds).
- Press MODE button 6 times ► Configure HIGH temperature (88°C).
- Press MODE button 7 times ► Configure LOW temperature (92°C).
- Press MODE button 8 times ► Switches temperature display between °C & °F.
- Press MODE button 9 times ► Configure BUZZER on/off setting.
- Press MODE button 10 times ► Displays DRAIN cycle duration (0, gravity drain).
- Press MODE button 11 times ► Displays total drain time (65 seconds).
- Press MODE button 12 times ► Fan running time for SR04 and SR04DV.

OPERATION

POWER button will initiate water supply, and as the water level reaches different levels, heaters will be initiated. The machine will start the initiation stage where water temperature will be heated up until it reaches the pre-set temperature.

Initiation Stage

If the water temperature in the rinse tank reaches 92°C (198°F) and wash tank reaches 55°C (131°F), initiation stage is completed. The Not Ready sign will be changed to Ready.

MESSAGES

POWER ON

Welcome....

Ecomiser dishwasher Ver.1.0-T

WATER SUPPLY

Wash tank 60°C	Run	Tank fill
Rinse tank 60°C	90	Not Ready

HEATING AFTER FINISHING WATER SUPPLY

Wash tank 60°C	Run	Heating
Rinse tank 65°C	90	Not Ready

Operation

READY AFTER REACHING MINIMUM OPERATION TEMPERATURE

Wash tank 61°C Run Heating
Rinse tank 82°C 90 Ready

WASHING AND DETERGENT SUPPLY AFTER DOOR OPEN/CLOSE

Wash tank 62°C Run Heating
Rinse tank 90°C 90 Washing-Detergent

WAITING FOR DROPPING DOWN WASH WATER (10SECONDS)

Wash tank 61°C Run Heating
Rinse tank 91°C 90 Waiting

RINSING

Wash tank 61°C Run Heating
Rinse tank 92°C 90 Rinsing

RINSING AND RINSE AGENT SUPPLY

Wash tank 61°C Run Heating
Rinse tank 92°C 90 Rinsing-Rinse agent

POWER DRAIN OR GRAVITY DRAIN

Wash tank 62°C Run Heating
Rinse tank 90°C 90 Drain

COMPLETE

Wash tank 62°C Run Heating
Rinse tank 91°C 90 Complete

IDLE STAGE

Wash tank 63°C Run
Rinse tank 92°C 90 Ready

POWER OFF ► DRAIN AND CLEANING FOR ABOUT 3 MINUTES

Ending...

1. Water will start to drain out.
 - Drain pump: 90 seconds.
 - Rinse pump (cleaning process): 10 seconds.
 - Waiting: 10 seconds.
 - Drain pump re-initiation: ON (30 seconds) ► OFF (5 seconds) ► ON (5 seconds) ► OFF (5 seconds) ► ON (5 seconds).
2. Press START/STOP button during water drain stage to stop the cycle and the machine completely.

SHUT DOWN

Goodbye

TO PRIME DETERGENT AND RINSE AGENT PUMPS

This mode will only work if the Ready is on.

Detergent - While the power is turned on, press MODE and UP button simultaneously to supply detergent.

Rinse Agent - While the power is turned on, press MODE and DOWN button simultaneously to supply rinse agent.

ERROR MESSAGES

Error 1	Wash tank temperature sensor problem.
Error 2	Upper rinse tank temperature sensor problem.
Error 3	Lower rinse tank temperature sensor problem.
Error 4	Water supply ERROR, problem with Rinse Tank FLOAT SWITCH, displays if there is no signal from FLOAT SWITCH, 15 minutes into the water supply.
Error 5	Water supply ERROR, problem with Wash Tank FLOAT SWITCH, displays if there is no water supply for more than 40 minutes, when the water supply is initiated.
Error 6	Upper OVERFLOW FLOAT SWITCH ERROR displays if upper OVERFLOW FLOAT SWITCH is turned on.
Error 7	Lower OVERFLOW FLOAT SWITCH ERROR displays if upper OVERFLOW FLOAT SWITCH is turned on.
Error 8	When door is open.
Miscellaneous	Displays if there is any type of ERROR, machine will completely stop.
	ERROR buzzer will sound 5 consecutive times.
	POWER button or START/STOP button will clear the ERROR status, but unless the ERROR is fixed, ERROR MESSAGE will continue to display.

Caution: If an error message appears on the display, check with a qualified technician or the supplier.

SETTING DATA

- When the machine is turned off, all pre-set data will be saved.
- Pre-set data consists of wash time / detergent time / wait time / rinse time / rinse agent time, temperature setting, buzzer sound, temperature unit, and drain/fan running time.

Maintenance

The interior of the dishwashers are made of quality stainless steel that has been electro polished to produce the smoothest surface available. The smooth surface prohibits the accumulation of dirt and bacteria inside the unit. If the water in your area is especially hard, however, lime deposits could form inside the machine. If this happens, you can remove them by putting 1000cc of scale removal product in the wash tank and running a normal wash cycle 10 times. In extremely hard water areas, you may need to repeat this process a few times to remove hard water deposits.

CLEANING THE STRAINER BASKET

For your convenience, we have placed the strainer within easy reach inside the tub. To clean the strainer, wash it gently in hot, soapy water and rinse it thoroughly 1 to 2 times every day.

CLEANING THE DOOR

To clean the edge around the door, use only a soft warm, damp rag. To prevent penetration of water into the electrical components, do not use a spray cleaner of any kind.

WARNING

Never use a spray cleaner of any kind on the control panel. You could damage the electrical components. Never use abrasive cleaners or scouring pads on the outer surfaces because they will scratch the finish. Also, some paper towels can scratch or leave marks on the stainless-steel surface.

CLEANING THE IMPELLERS

Impellers may sometimes become clogged with hard water deposits. To remove them, grip the center of impeller and wash it all over with soft rags. After removing all of the impellers, check to ensure impellers revolve easily.

DE-LIMING

Lime scale deposits will occur over time on the interior of the machine if it is operated using a hard water supply. The units require that a de-liming or de-scaling process be used to remove these deposits, as well as any accumulated food residue. When de-liming the interior area, be sure to follow these guidelines.

- Use de-liming agents designed for use with commercial dishwashers.
- Follow the instructions for the de-liming agent that is used.
- Recommendation: In areas where hard water is supplied, the water to be supplied for normal machine operation must be clean and soft.

NOTE

After the de-liming process:

- Run the machine through 2-3 regular cycles and sanitize the interior thoroughly.
- Inspect the interior for any remaining de-liming agent residue. If residue is present, remove it using a soft cloth and hot water; then, run the machine through one final cycle.
- Press the POWER button off. This will empty the tank, ensuring that any de-liming agent still in the tank will be flushed out of the machine.
- Ensure that all residue of the de-liming agent is removed. Residue from the agent can pose a health hazard and damage seals and plastic components inside the machine.

Troubleshooting

COMMON DISHWASHING PROBLEMS

As with any new machine, it sometimes takes using it a few times to learn to operate it properly. If you are having minor performance problems with your dishwasher, read this section before calling for service. It may save you time and unnecessary expense.

POOR WASHING PERFORMANCE

- The dishes may not be loaded properly. Make sure that soiled surfaces are facing downward or toward the center of the dishwasher. Also, make sure that the bowls, pots, etc., are not stacked so closely that water can't reach the soiled surfaces.
- Make sure you are using the appropriate program settings for the dirtiness of the dishware.
- An item may be obstructing the rotation of the impeller. With the rack loaded and in place, manually turn impellers to ensure free movement.
- Dishwasher detergent should be fresh and stored tightly closed in a cool, dry place. Old or caked detergent will not dissolve properly.
- Dishwasher detergent may be inferior. Try a different brand.
- If you have hard water in your area, try adding more detergent and increasing the amount of rinse aid dispensed. Water hardness must be controlled to 4-6 grains for best results.
- Check that the impeller jets are not clogged.

POOR DRYING PERFORMANCE

- Make sure the rinse aid is enough.
- Do not overload the dishes and be careful to avoid nesting.
- Load items with concave bottoms tilted so as much water as possible will run off.
- Dishes washed in higher water temperatures will dry faster.
- Certain plastics may need to be towel dried. Always check the manufacturer's suggested care instructions before washing plastic in your dishwasher. Even dishwasher-safe items should be loaded in the rack, away from the heating element.
- Check the amount of rinse aid is proper that it is fresh.

WASHING ITEMS

Omcan has no control over what is put in dishwasher once installed in a user's place. You are solely responsible for what you wash in your dishwasher. Most common dishware items can be safely washed in an automatic commercial dishwasher. If you have any doubts about a particular item, check with the manufacturer to see if it is dishwasher safe.

- Some high-acid foods can discolor plastic. You should rinse these items.
- When you load the dishware, be sure dishware is securely in place and will not fall over or strike against each other during the wash.
- Load glasses between the tines, not straddling them.
- Move the rack in and out slowly to avoid slamming the dishware together.
- Make sure not to load dishware so high that the upper impeller could strike them.
- Do not overload the dishwasher.

STAINS AND DISCOLORATIONS

Stains or discoloration on dishware could be caused by several things:

Troubleshooting

- Too much iron or manganese in the water can cause yellow or brown marks on your dishware. You should consider installing a water filtering system.
- Coffee and tea stains usually must be removed by hand washing. Be sure to rinse these items thoroughly before putting them in the machine so there is no bleach residue on the dishware.

TROUBLESHOOTING

If you should experience a problem with your dishwasher, you should review the following list of frequently encountered situations. Even though the product is under warranty, if the problem is not caused by defective product workmanship or materials, you will be charged for a service call. If you're still not sure, contact Omcan before you call a service technician.

THINGS TO CONSIDER

- Always use fresh detergent.
- The amount of detergent needed for dishware depends on the hardness of the water in your area. Contact your local utility company to learn the water hardness in your area.
- Make sure the machine is level.
- The length of the dishwasher cycle may run longer if the temperature of the water entering the machine is below 140°F/60°C. The machine runs longer because it heats the water to the proper temperature by the pre-set program.

DRAIN

- Make sure that the cycle is complete before you open the dishwasher. If not, allow it to complete and check again.
- Check the drain area for blockage.
- Check for a kink in the drain hose.

WATER FILL

- Make sure the water supply is turned on.
- Make sure the dishwasher is turned on and the door is closed securely.
- Check for crimps in the water feed line.
- Make sure the water inlet valve is not clogged.

DOES NOT START

- Make sure the dishwasher is turned on and the door is closed securely.
- Check that the water supply is connected properly and the water is turned on.
- Make sure the power cord is properly connected into the power supply box.
- Check your fuse box for a blown fuse or tripped circuit breaker.

Problem	Check	Corrective Action
Is the power not coming on?	Check breaker.	Turn the breaker on
	Did you press the power button?	Press the power button
No water supply	Is the water supply valve open?	Turn the water supply valve on

Troubleshooting

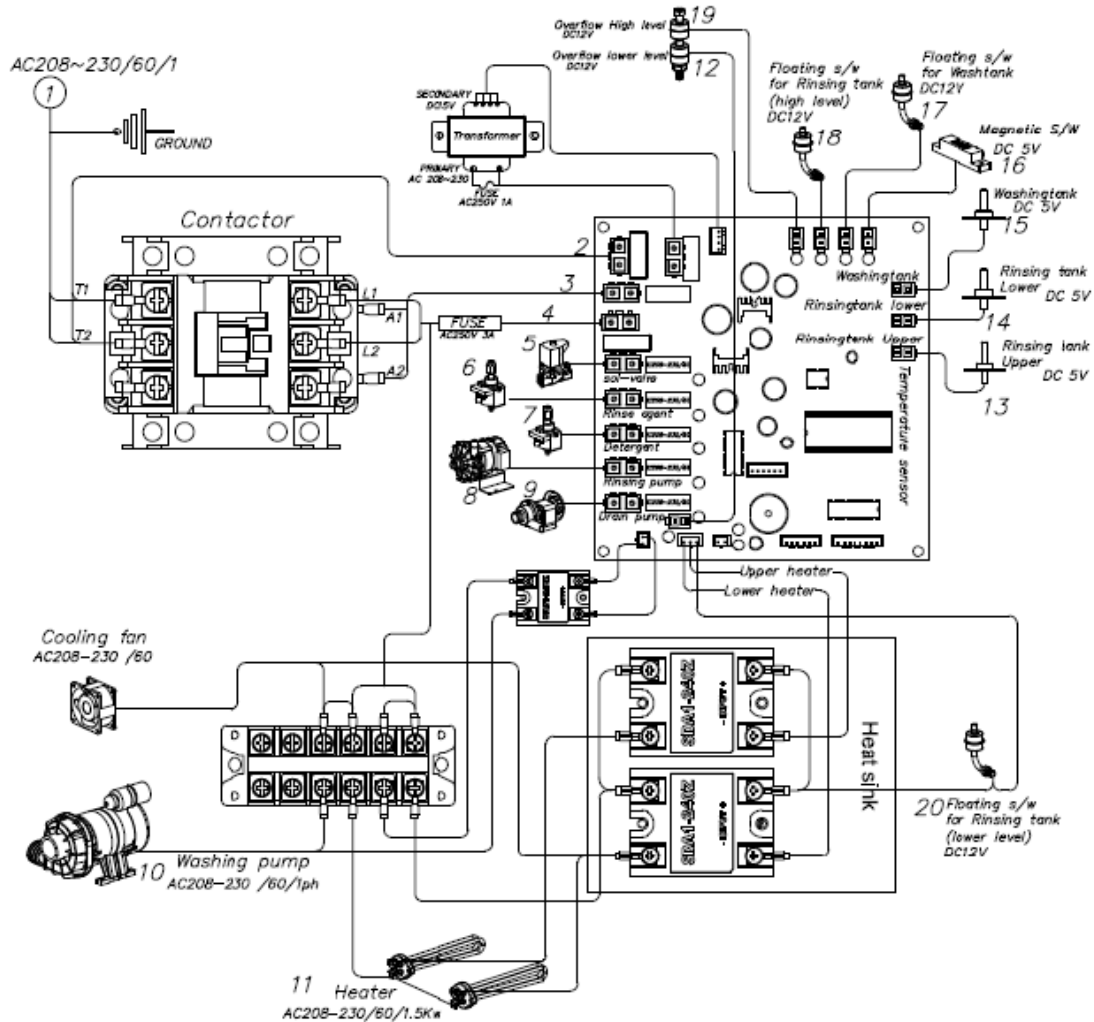
Makes a lot of noise?	Is the machine level to the ground?	Install the machine parallel to the ground
	Is the spray arm touching the plates?	Do not let the nozzle touch the machine
No drain?	Is the drain hose bent?	Make sure the hose isn't bent
	Is the drain higher than the water level?	Make sure the drain is installed at the bottom level
Poor washing?	Are the impellers clogged?	Clean up impeller nozzles
	Are the impellers not rotating?	Do not load dishware too high
	Is the dishware too close together?	Do not load dishware too close
	Are you out of detergent?	Refill the detergent
	Are dried food bits stuck to the dishware?	Rinse off the dried food bits before putting into the machine
Poor rinsing?	Are there stains on the dishware	Check the temperature
	Is the dishware slippery?	Check the amount of rinse detergent
	Poor drying performance?	Check the temperature
Too much foaming?	Did you use the proper detergent?	Use the proper detergent for the machine.
	Is the wash temperature too low?	After confirming the water supply line, check the temperature

REFERENCE

Item Number	Model Number	Description	Manufacturer Model Number
46562	CD-KR-SU01	Dishwasher Undercounter Heavy Duty 3.8 kW 220V/60/1 cETLus/ETL Sanitation	SU-01
46563	CD-KR-SU02	Dishwasher Undercounter Heavy Duty 4.75 kW 220V/60/1 cETLus/ETL Sanitation	SU-02
46485	CD-KR-SR02	Dishwasher Heavy Duty 5.3 kW 220V/60/1 cETLus/ETL Sanitation	SR-02
46486	CD-KR-SR03	Dishwasher Heavy Duty 6.8 kW 220V/60/3 cETLus/ETL Sanitation	SR-03
46487	CD-KR-SR04	Dishwasher Heavy Duty 7.5 kW 220V/60/1 cETLus/ETL Sanitation	SR-04
46488	CD-KR-SR04T	Dishwasher Heavy Duty 7.5 kW 220V/60/3	SR-04T
46489	CD-KR-SR04DV	Dishwasher Heavy Duty 40 kW 220V/60/3	SR-04DV

Electrical Schematics

Model CD-KR-SU01 46562

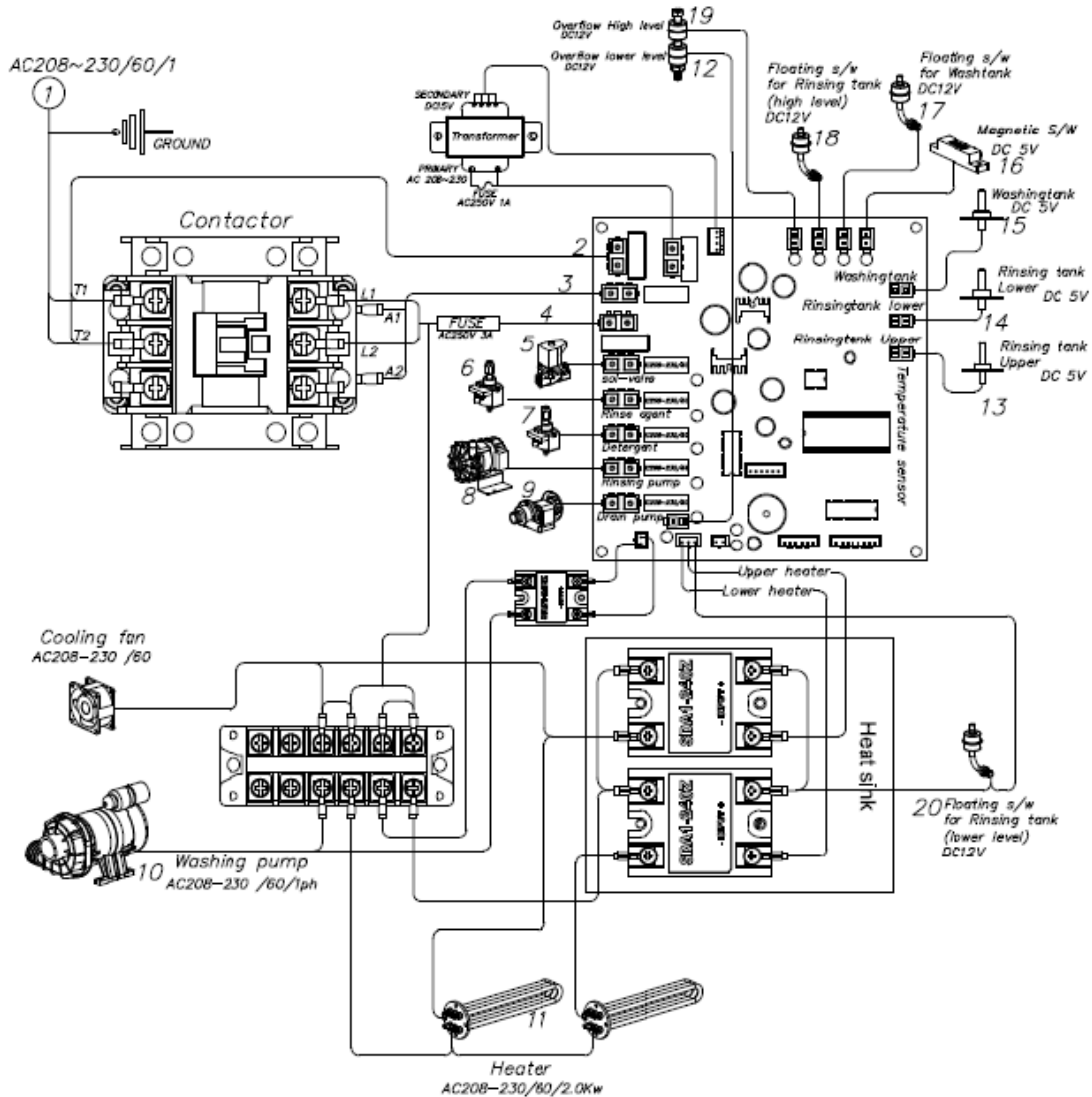


Wire No.	Item
1	Main power
2	T1, T2
3	A1, A2
4	L1, L2
5	Sol-Valve
6	Rinse agent
7	Detergent
8	Rinsing pump
9	Drain pump
10	Washing pump

Wire No.	Item
11	Heater
12	Floating S/W for overflow lower
13	Temperature sensor for R-tank upper
14	Temperature sensor for R-tank lower
15	Temperature sensor for Washing tank
16	Magnetic S/W
17	Floating S/W for Washing tank
18	Floating S/W for R-tank upper
19	Floating S/W for overflow upper
20	Floating S/W for R-tank lower

Electrical Schematics

Model CD-KR-SU02 46563

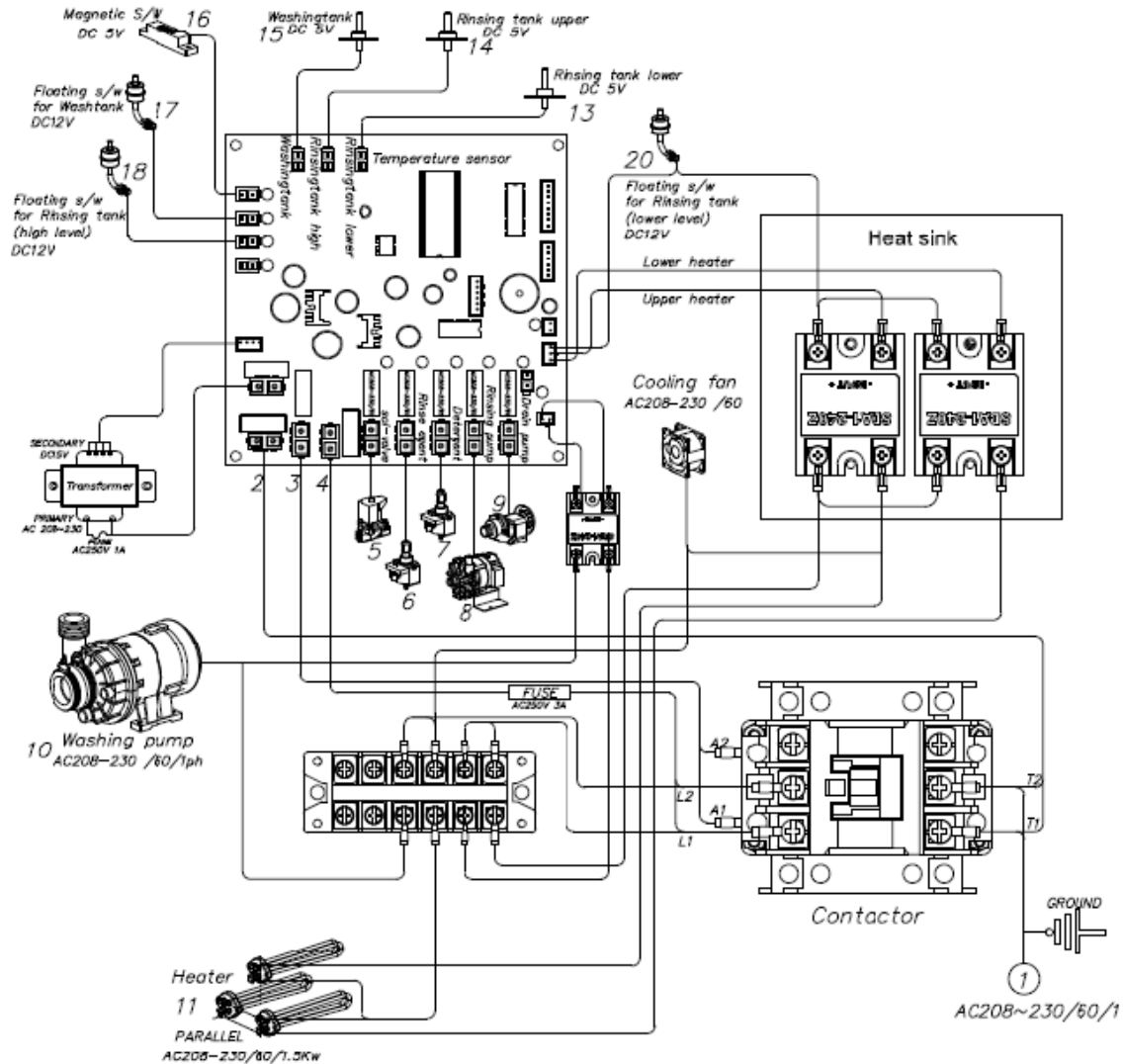


Wire No.	Item
1	Main power
2	T1, T2
3	A1, A2
4	L1, L2
5	Sol-Valve
6	Rinse agent
7	Detergent
8	Rinsing pump
9	Drain pump
10	Washing pump

Wire No.	Item
11	Heater
12	Floating S/W for overflow lower
13	Temperature sensor for R-tank upper
14	Temperature sensor for R-tank lower
15	Temperature sensor for Washing tank
16	Magnetic S/W
17	Floating S/W for Washing tank
18	Floating S/W for R-tank upper
19	Floating S/W for overflow upper
20	Floating S/W for R-tank lower

Electrical Schematics

Model CD-KR-SR02 46485

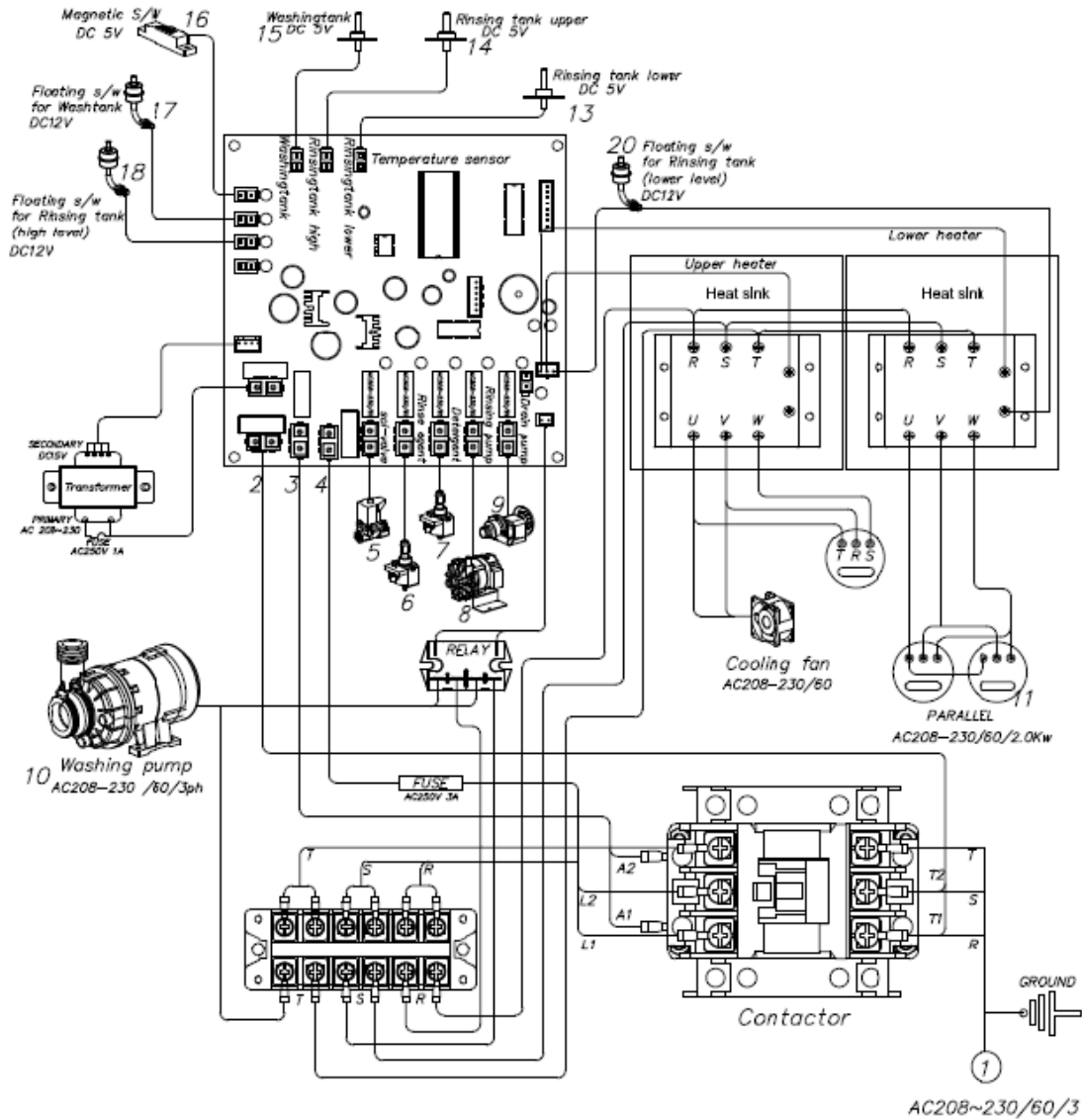


Wire No.	Item
1	Main power
2	T1, T2
3	A1, A2
4	L1, L2
5	Sol-Valve
6	Rinse agent
7	Detergent
8	Rinsing pump
9	Drain pump
10	Washing pump

Wire No.	Item
11	Heater
12	Floating S/W for overflow lower
13	Temperature sensor for R-tank lower
14	Temperature sensor for R-tank upper
15	Temperature sensor for Washing tank
16	Magnetic S/W
17	Floating S/W for Washing tank
18	Floating S/W for R-tank upper
19	Floating S/W for overflow upper
20	Floating S/W for R-tank lower

Electrical Schematics

Model CD-KR-SR03 46486

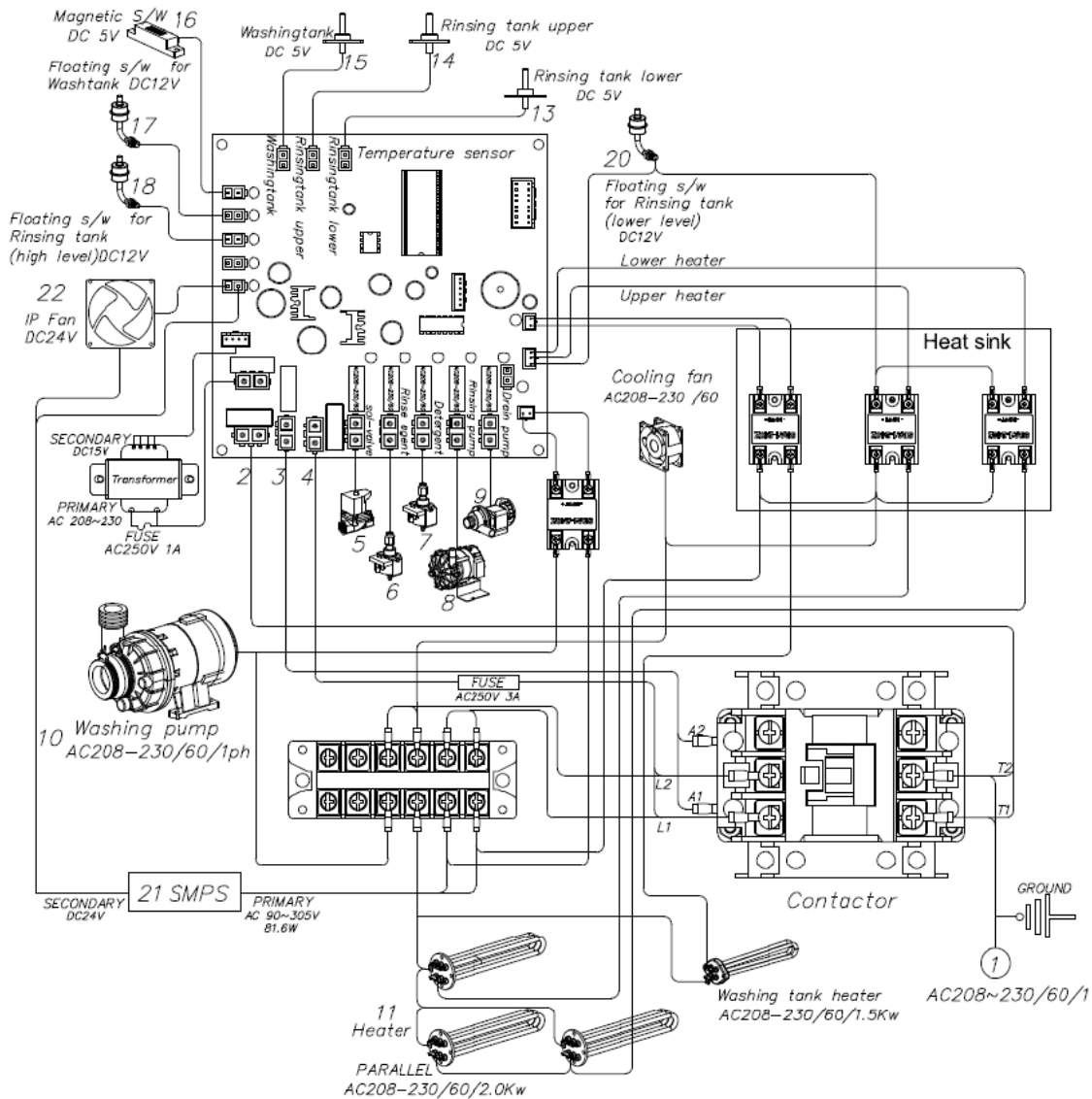


Wire No.	Item
1	Main power
2	T1, T2
3	A1, A2
4	L1, L2
5	Sol-Valve
6	Rinse agent
7	Detergent
8	Rinsing pump
9	Drain pump
10	Washing pump

Wire No.	Item
11	Heater
12	Floating S/W for overflow lower
13	Temperature sensor for R-tank lower
14	Temperature sensor for R-tank upper
15	Temperature sensor for Washing tank
16	Magnetic S/W
17	Floating S/W for Washing tank
18	Floating S/W for R-tank upper
19	Floating S/W for overflow upper
20	Floating S/W for R-tank lower

Electrical Schematics

Model CD-KR-SR04 46487

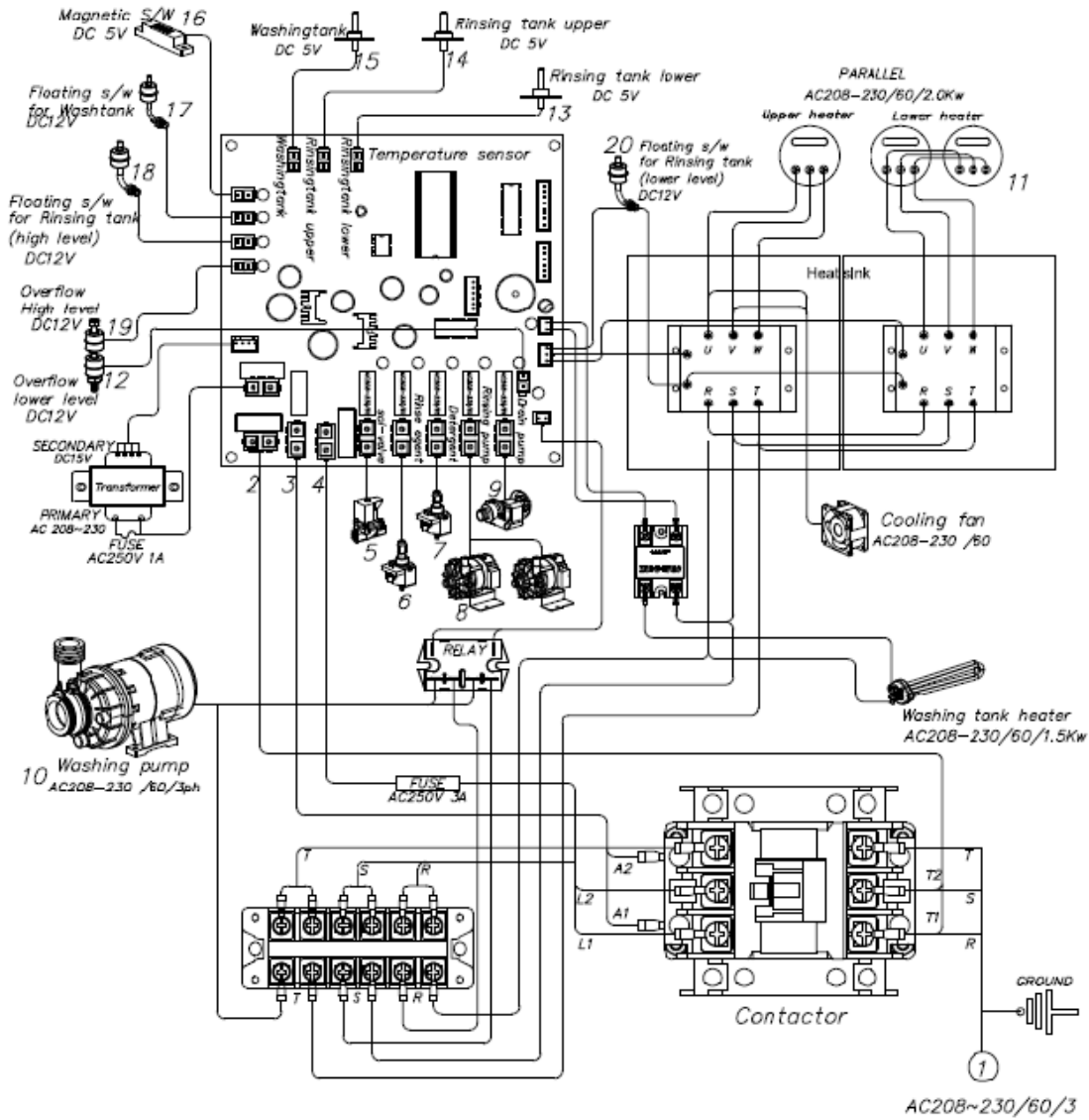


Wire No	Item
1	Main power
2	T1, T2
3	A1, A2
4	L1, L2
5	Sol-Valve
6	Rinse agent
7	Detergent
8	Rinsing pump
9	Drain pump
10	Washing pump
11	Heater

Wire No	Item
12	Floating S/W for overflow lower
13	Temperature sensor for R-tank lower
14	Temperature sensor for R-tank upper
15	Temperature sensor for Washing tank
16	Magnetic S/W
17	Floating S/W for Washing tank
18	Floating S/W for R-tank upper
19	Floating S/W for overflow upper
20	Floating S/W for R-tank lower
21	SMPS
22	IP Fan

Electrical Schematics

Model CD-KR-SR04T 46488

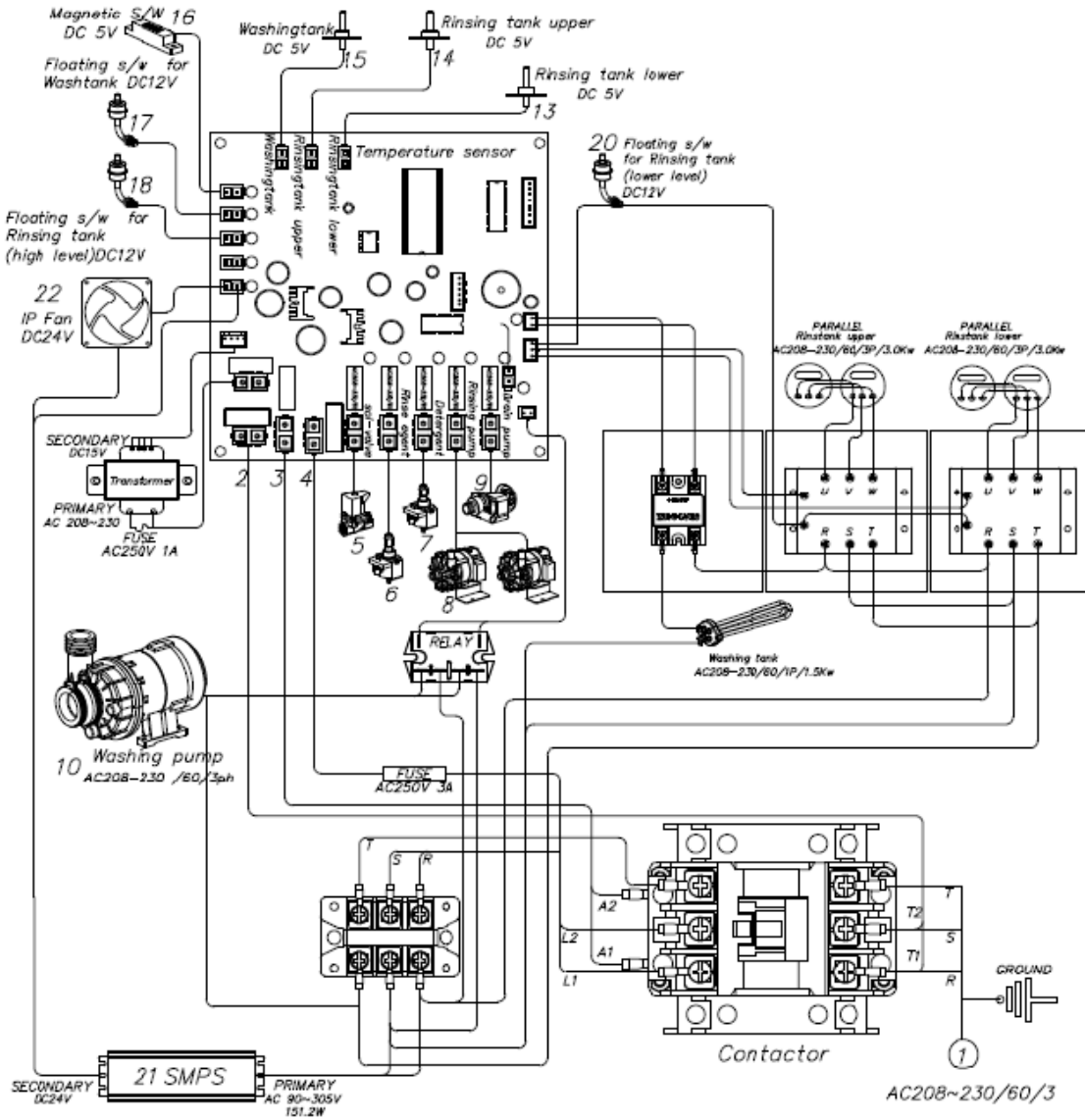


Wire No.	Item
1	Main power
2	T1, T2
3	A1, A2
4	L1, L2
5	So-Valve
6	Rinse agent
7	Detergent
8	Rinsing pump
9	Drain pump
10	Washing pump

Wire No.	Item
11	Heater
12	Floating S/W for overflow lower
13	Temperature sensor for R-tank lower
14	Temperature sensor for R-tank upper
15	Temperature sensor for Washing tank
16	Magnetic S/W
17	Floating S/W for Washing tank
18	Floating S/W for R-tank upper
19	Floating S/W for overflow upper
20	Floating S/W for R-tank lower

Electrical Schematics

Model CD-KR-SR04DV 46489



Wire No.	Item
1	Main power
2	T1, T2
3	A1, A2
4	L1, L2
5	Sol-Valve
6	Rinse agent
7	Detergent
8	Rinsing pump
9	Drain pump
10	Washing pump

Wire No.	Item
11	Heater
12	Floating S/W for overflow lower
13	Temperature sensor for R-tank lower
14	Temperature sensor for R-tank upper
15	Temperature sensor for Washing tank
16	Magnetic S/W
17	Floating S/W for Washing tank
18	Floating S/W for R-tank upper
19	Floating S/W for overflow upper
20	Floating S/W for R-tank lower

INSTALLATION REQUIREMENTS AND CHECKLIST

**The Dishwasher must be installed by a certified plumber.
Failing to follow the instructions below will void the warranty.**



This checklist *must* be returned with warranty card.

Installer
Signature Below:

- 1. Check water hardness. If water hardness exceeds 7 grains per gallon, a water softener must be installed.
- 2. Ensure the correct placement and leveling of the machine as per the manual.
- 3. The water supply hose / pipe should be flushed before the final connection.
- 4. The dishwasher must be connected to a hot water source with a minimum temperature of 50° Celcius / 122° Fahrenheit.
- 5. Adjust water pressure using the PRV to 15 PSI, while filling the machine with water.
- 6. Do not add an extension to the drain hose, drain connections must be made in the same flow with the drain hose. The door type limits the height of the drain to 18 inches / 45.7 cm and the undercounter will be limited to 15.7 inches / 40 cm.
- 7. If no water filtration/softener system is used, descale every 4 weeks.

Please read through owner's manual completely for all instructions.

Company Name: _____
Company Phone Number: _____
Installed By: _____
Date Installed: _____
Signature of Installer: _____



Warranty Registration

Thank you for purchasing an Omcan product. To register your warranty for this product, complete the information below, tear off the card at the perforation and then send to the address specified below. You can also register online by visiting:

Merci d'avoir acheté un produit Omcan. Pour enregistrer votre garantie pour ce produit, complétez les informations ci-dessous, détachez la carte au niveau de la perforation, puis l'envoyer à l'adresse spécifiée ci-dessous. Vous pouvez également vous inscrire en ligne en visitant:

Gracias por comprar un producto Omcan usted. Para registrar su garantía para este producto, complete la información a continuación, cortar la tarjeta en la perforación y luego enviarlo a la dirección indicada a continuación. También puede registrarse en línea en:

<https://omcan.com/warranty-registration/>

For mailing in Canada

Pour postale au Canada

Por correo en Canadá

OMCAN

PRODUCT WARRANTY REGISTRATION

3115 Pepper Mill Court,

Mississauga, Ontario

Canada, L5L 4X5

For mailing in the US

Pour diffusion aux États-Unis

Por correo en los EE.UU.

OMCAN

PRODUCT WARRANTY REGISTRATION

4450 Witmer Industrial Estates, Unit 4,

Niagara Falls, New York

USA, 14305

or email to: service@omcan.com



Purchaser's Information

Name: _____

Address: _____

City: _____ Province or State: _____ Postal or Zip: _____

Country: _____

Dealer from which Purchased: _____

Dealer City: _____ Dealer Province or State: _____

Invoice: _____

Model Name: _____ Model Number: _____

Machine Description: _____

Date of Purchase (MM/DD/YYYY): _____

Would you like to extend the warranty? Yes No

Company Name: _____

Telephone: _____

Email Address: _____

Type of Company:

Restaurant Bakery Deli

Butcher Supermarket Caterer

Institution (specify): _____

Other (specify): _____

Serial Number: _____

Date of Installation (MM/DD/YYYY): _____

Thank you for choosing Omcan | Merci d'avoir choisi Omcan | Gracias por elegir Omcan



Since 1951 Omcan has grown to become a leading distributor of equipment and supplies to the North American food service industry. Our success over these many years can be attributed to our commitment to strengthen and develop new and existing relationships with our valued customers and manufacturers. Today with partners in North America, Europe, Asia and South America, we continually work to improve and grow the company. We strive to offer customers exceptional value through our qualified local sales and service representatives who provide convenient access to over 5,000 globally sourced products.

Depuis 1951 Omcan a grandi pour devenir un des “leaders” de la distribution des équipements et matériel pour l’industrie des services alimentaires en Amérique du Nord. Notre succès au cours de ces nombreuses années peut être attribué à notre engagement à renforcer et à développer de nouvelles et existantes relations avec nos clients et les fabricants de valeur. Aujourd’hui avec des partenaires en Amérique du Nord, Europe, Asie et Amérique du Sud, nous travaillons continuellement à améliorer et développer l’entreprise. Nous nous efforçons d’offrir à nos clients une valeur exceptionnelle grâce à nos ventes locales qualifiées et des représentants de service qui offrent un accès facile à plus de 5000 produits provenant du monde entier.

Desde 1951 Omcan ha crecido hasta convertirse en un líder en la distribución de equipos y suministros de alimentos en América del Norte industria de servicios. Nuestro éxito en estos años se puede atribuir a nuestro compromiso de fortalecer y desarrollar nuevas relaciones existentes con nuestros valiosos clientes y fabricantes. Hoy con socios de América del Norte, Europa, Asia y América del Sur, que trabajan continuamente para mejorar y crecer la empresa. Nos esforzamos por ofrecer a nuestros clientes valor excepcional a través de nuestro local de ventas y representantes de los servicios que proporcionan un fácil acceso a más de 5,000 productos con origen a nivel mundial.

